

Jeep Grand Cherokee WL (5-seater) MY2022-current Roof Rack

IMPORTANT! – READ BEFORE INSTALLATION

- This product must be installed exactly as per these instructions using only hardware supplied.
- Take a few moments to read instructions thoroughly before beginning work.
- In the event of damage to any component please contact OFFROAD ANIMAL to arrange repair/replacement of components.
- Do not use this product for any vehicle make or model other than that specified on these instructions.
- Do not remove labels from this product.
- This product and its fixings must not be modified in any way unless stated in these fitting instructions.
- The installation of this product is recommended for trained personnel.
- These instructions are correct at time of publication. OFFROAD ANIMAL cannot be held responsible for the impact of any changes subsequently made by the vehicle manufacturer. If you find something has changed, please contact us to let us know!
- During installation it is the duty of the installer to check correct operation/clearances of all components.
- If Instructions are to be printed for reference in the workshop, it is recommended that they are printed in colour, for best legibility.
- Fitting Time: 2 hours
- This Rack is rated to 120kg dynamic (driving) load and 240kg static (sitting still)

PARTS LISTING

IMPORTANT: Check all parts are present before beginning work! Contact OFFROAD ANIMAL if something is missing.

Main Parts – In the Box

Qty	Part Number	Description	Image
1	B-0811R	WL roof rack side RHS	
1	B-0811L	WL roof rack side LHS	
1	B-0813	WL Wind deflector	
7	E-0005	Cross Rails 1150mm	
1	RR-JGC-WL-22-ASM2R	WL Steel rail asm RHS	
1	RR-JGC-WL-22-ASM2L	WL Steel rail asm LHS	

Small Parts – Contained in Small Parts Kit Bag

Qty	Part Number	Description
2	OFA-LOGO	OFFROAD ANIMAL METAL LOGO
1	PINCH WELD BLACK 3M	PINCH WELD BLACK 14MM X 9MM X 3M
45	M8HD FW	M8 Flat Washer Heavy duty
28	M8 x 20 BHCS BZ	M8 x 20 Button head cap screw Black Zinc
17	M8 x 16 BHCS BZ	M8 x 16 Button Head Cap Screw Black Zinc
17	M8 N	M8 Nut
4	M6 x 25 BHCS BZ	M6 x 25 Button Head Cap Screw Black Zinc
4	M6 FW BZ	M6 Flat Washer Black Zinc
4	M6 FN	M6 Flange Nut
8	M8 x 25	M8 x 25 Hex Bolt Zinc Plate
8	M8 SW	M8 Spring Washer
8	M8 HD FW	M8 Heavy duty flat washer
8	M8 CN	M8 Cage Nut
12	M6x20	M6 x 20 Hed Bolt
12	M6 MFW	M6 Flat washer mud guard
12	HDPE Spacer black	Spacer OD 20x8x5 Black

TOOLS REQUIRED

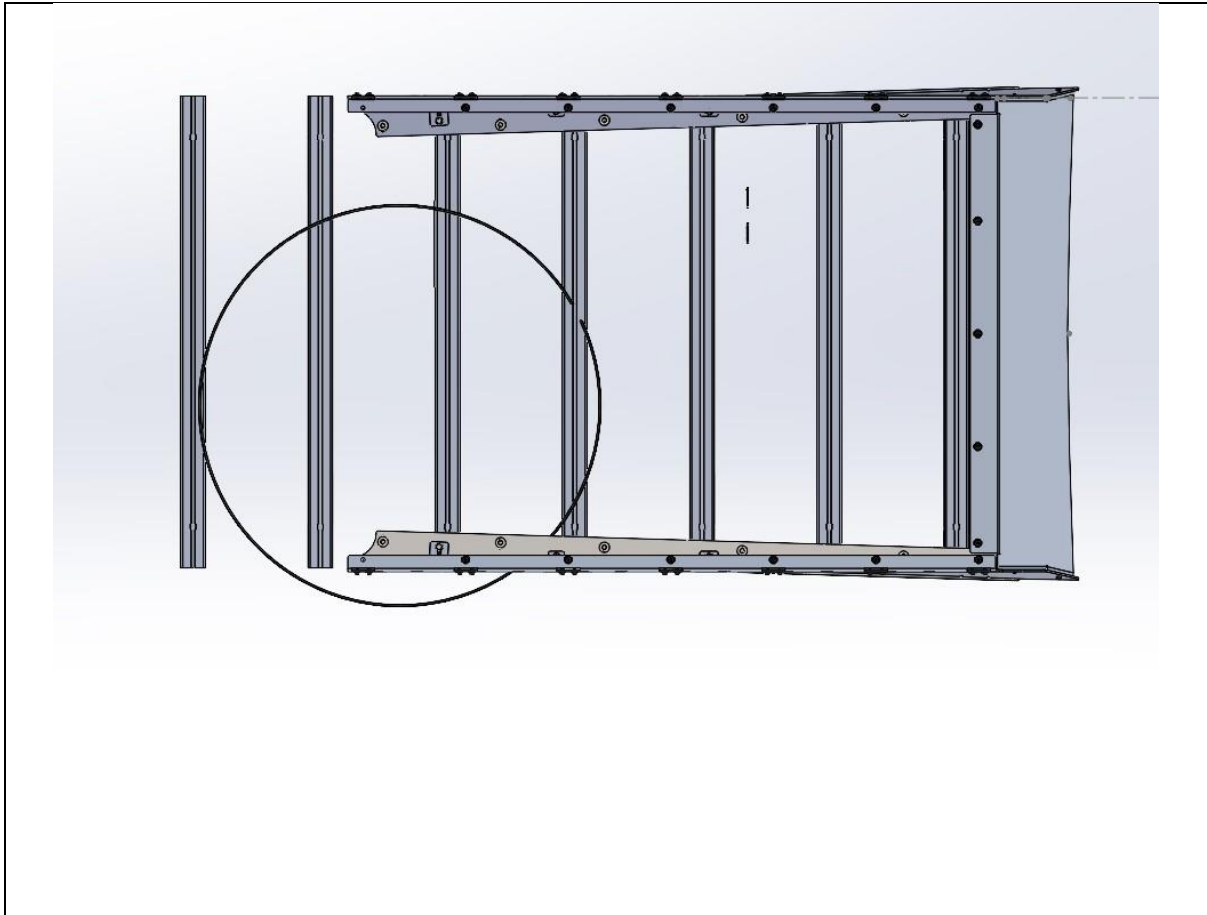
The following tools will be required to install the product.

Hand Tools	Power Tools	Workshop Equipment
<ul style="list-style-type: none"> -T30 Torx Bit -10mm Spanner -10mm Socket and ratchet driver -13mm Spanner -13mm Socket and ratchet driver -5mm Allen Key -Side Cutters -Flat screw driver M6 Tap (recommended only) 		WD40

GENERAL WARNINGS

This Rack is rated to 120kg dynamic (driving) load and 240kg static (sitting still)

Feel free to mount a Roof Top tent up on the rack



1. Lay all parts out as shown ready to be bolted together. Ensure all parts are present

Tools Required

Fasteners



2. Peel off top section of factory rail as shown

Tools Required

Fasteners



3. Repeat for other side to reveal 4 screws per side.

TOOLS REQUIRED

FASTENERS



4. Remove the four screws with a T30 Torx bit

TOOLS REQUIRED

T30 Torx bit

FASTENERS

Discard



5. Clean out your roof buttons / rivnut threads with a M6 tap to make sure they are clear of residual loctite that would cause over torque of the rivnut (may even spin it) without achieving the desired rail to rivnut clamping force. A wire brush may also help remove some of the built-up rust. The rivnuts are a known weakness on the Grand Cherokee and excessive torque, or loosening a rusted thread, has been known to cause some rivnuts to spin. Once the rivnut threads are clean and dry, and you are ready to install, also consider applying some kind of anti-seize thread lubricant to the bolts we supply.
6. Push the rail forward then lift off.
7. Repeat for other side.

TOOLS REQUIRED

M6 gut tap

FASTENERS



8. Push Pinch weld on to short side of steel roof rails. This pinch weld protects your roof. Trim the pinch weld to match the length of the rail and repeat for the other side.
9. Fit M8 Cage nuts as shown into roof rails. You can do this by pinching the legs together and fitting them into the rectangular slots. Or use a flat head screwdriver to push one leg in with the other one resting against the edge of the rectangular slot

TOOLS REQUIRED

Side Cutters
Flat head screw driver

FASTENERS

M8 Cage nuts (12)



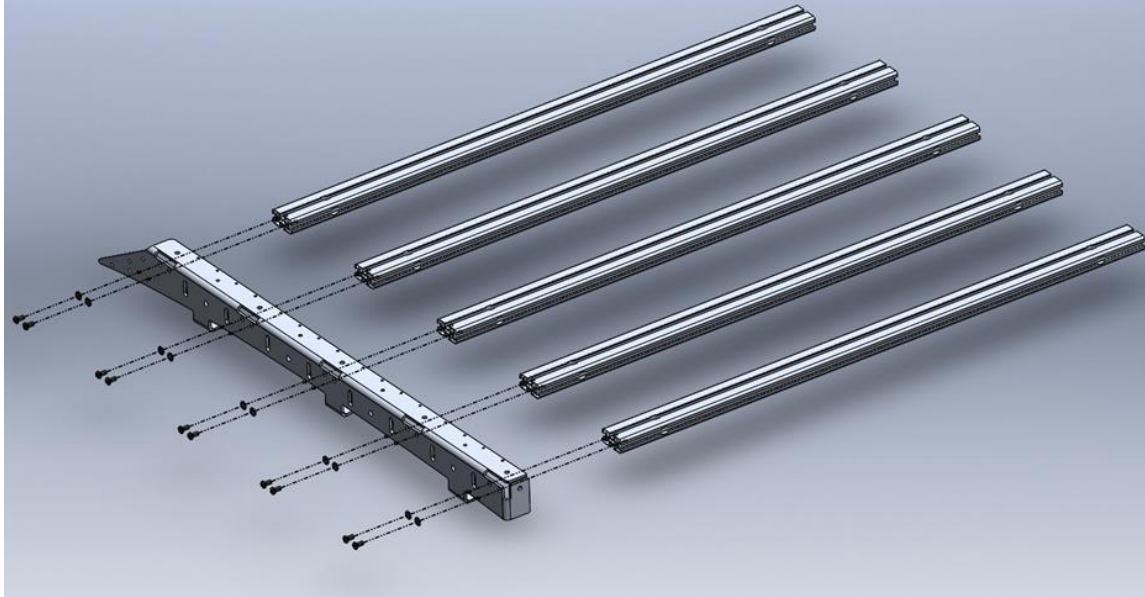
10. Loosely fit Rails to roof with M6 Hex bolts and mud guard washers. Do not torque down yet. 6 per side. Take care not to strip thread and advised to spray WD40 or similar in thread first. **Put one small black spacer on top of each roof button. These sit between the roof button and the steel rail.**
11. Do not tighten using any kind of power tool on the M6 bolts threaded into the roof nutserts, or the M8 bolts threaded into the cage nuts supplied by Offroad Animal. Hand tools are much better to reduce risk of over torquing the rivnuts and to provide the control desired.

TOOLS REQUIRED

WD40

FASTENERS

M6 x 20 Hex bolts (12)
M6 mud guard washers (12)



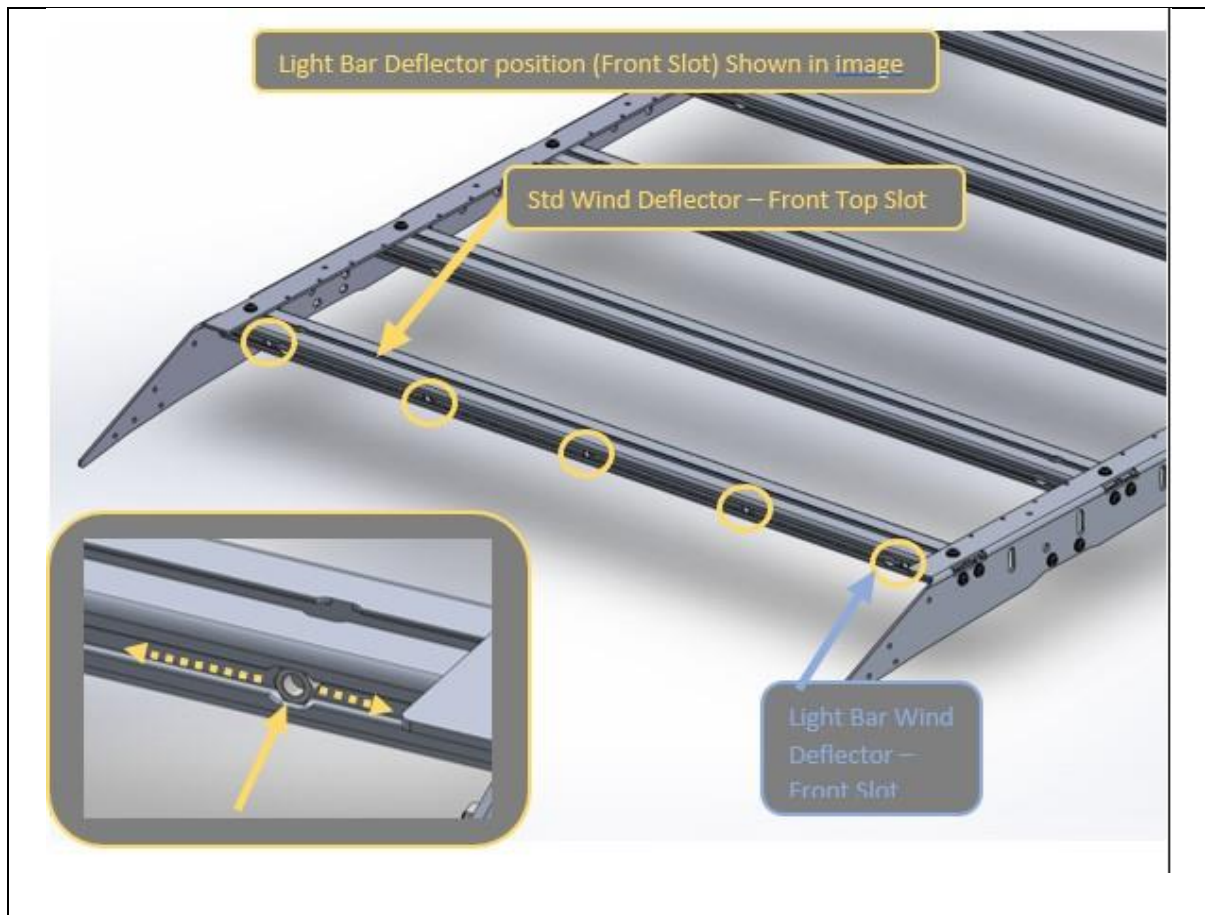
12. Fit Side rails to extrusion with M8 x 20 Button Head Cap screws and black washers.
13. Repeat for other side

TOOLS REQUIRED

5mm Hex Key

FASTENERS

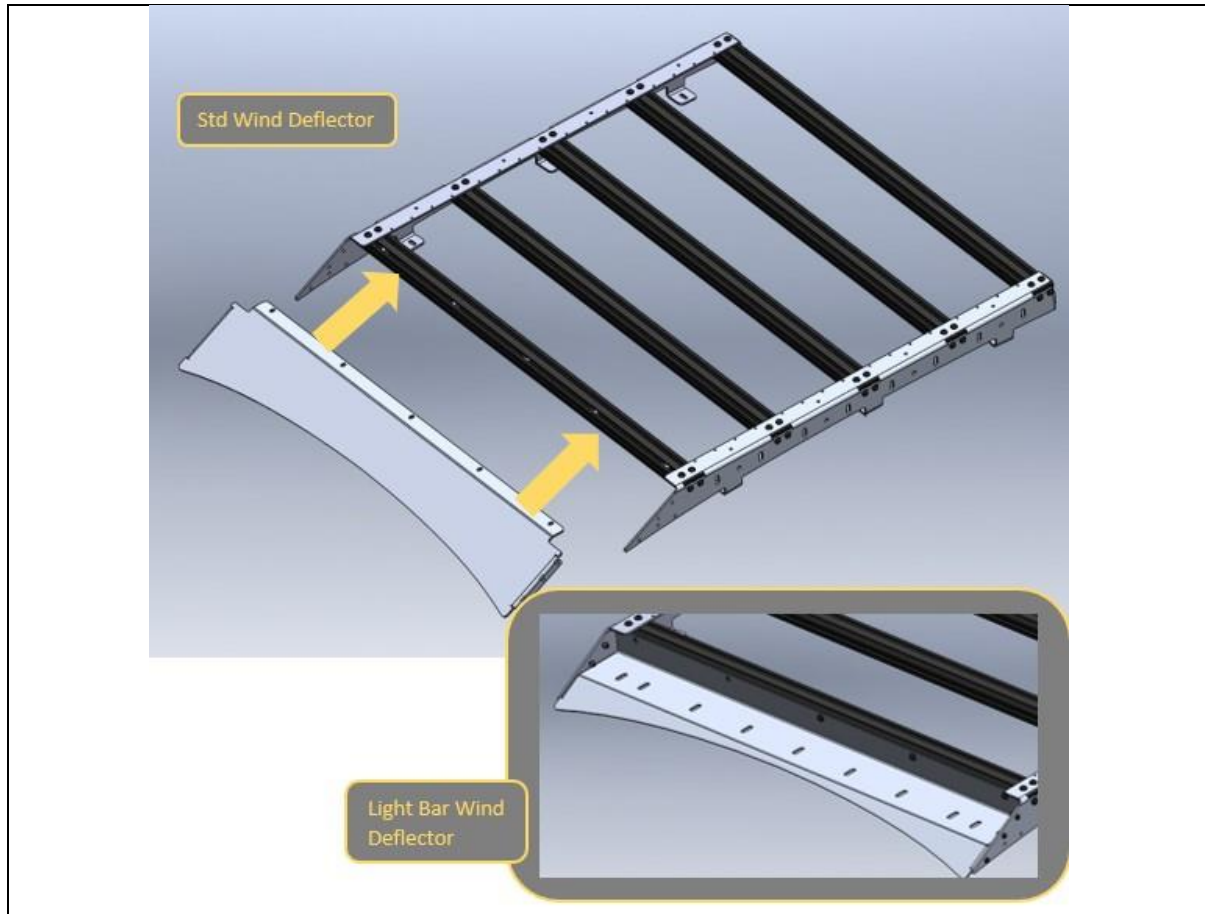
M8 x 20 BHCS (28)
M8 FW BLZ (28)



14. For fitting the front wind deflector insert M8 nuts into front most extrusion as shown above. Use top of the rail for standard wind deflector or front of rail for the Light bar model

TOOLS REQUIRED

FASTENERS
M8 N (5)



15. Put wind deflector on with M8 x 16 button head cap screws and flat washers on the top (or front for Light bar model) and secure the sides with M6 x 25 button head cap screws, flat washers, and flange nuts.

TOOLS REQUIRED

4 and 5mm hex key

FASTENERS

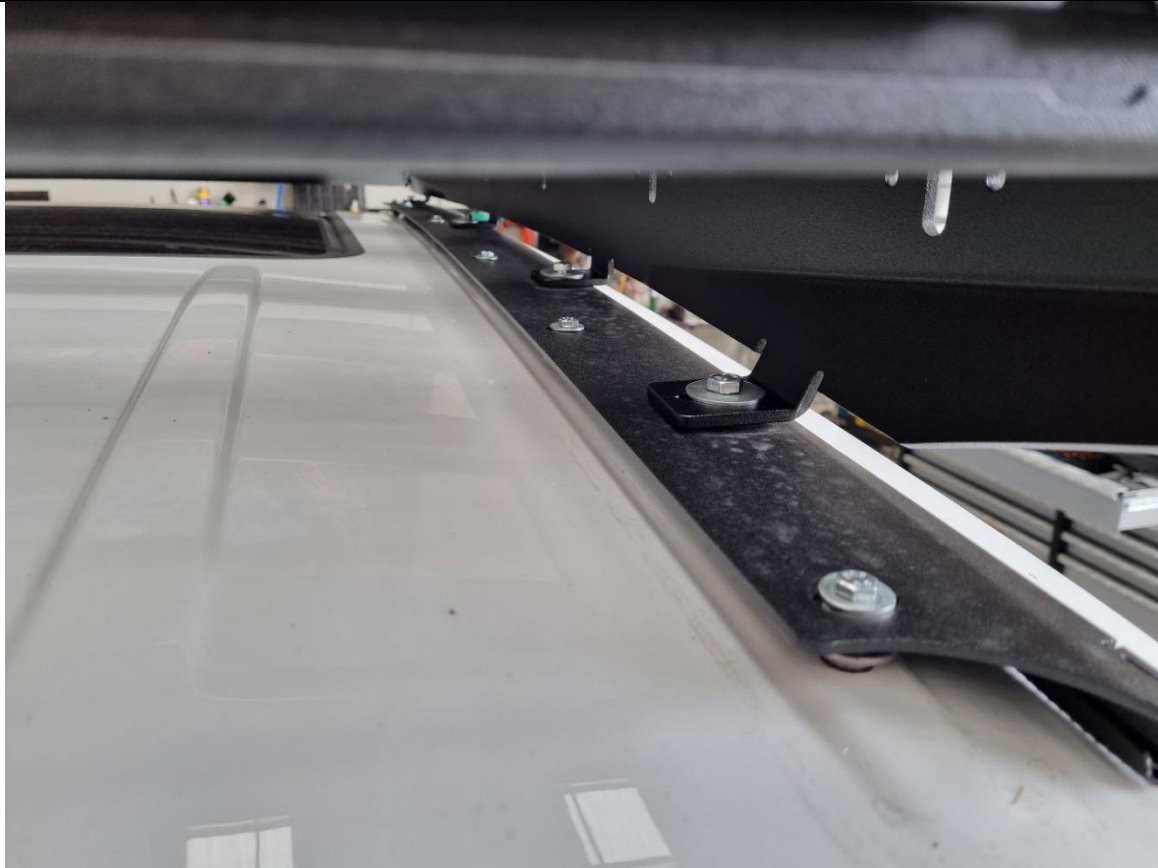
- M6 x 25 bhcs (4)
- M6 FN (4)
- M6 FW (4)
- M8 x 16 bhcs (5)
- M8 FW (5)



16. With the help of a friend lift the roof rack on to the roof

TOOLS REQUIRED

FASTENERS



- 17. Fit M8 x 25 Hex bolts with heavy duty washer through roof rack and into steel rail with cage nut
- 18. Once all the M8 bolts are loosely fitted, push the steel rail towards the centre of the car as far as it will go.**
- 19. Torque down all M6 bolts by hand holding steel rail on to roof.
- 20. Torque down all M8 bolts holding roof rack on to the steel rail.

TOOLS REQUIRED

- 10mm Spanner
- 13mm Spanner

FASTENERS



- 21. The base rack is now on. Feel free to mount all matter of goodies up there. Offroad Animal has dedicated accessories to fit which can be found on our website www.offroadanimal.com or www.offroadanimal.com.au
- 22. Competitor products will also fit, but may require drilling.

TOOLS REQUIRED

- 13mm Spanner or socket**
- 10mm Spanner or socket**

FASTENERS

- M8 x 25 Hex bolt (8)
- M8 FW (8)

FASTENERS